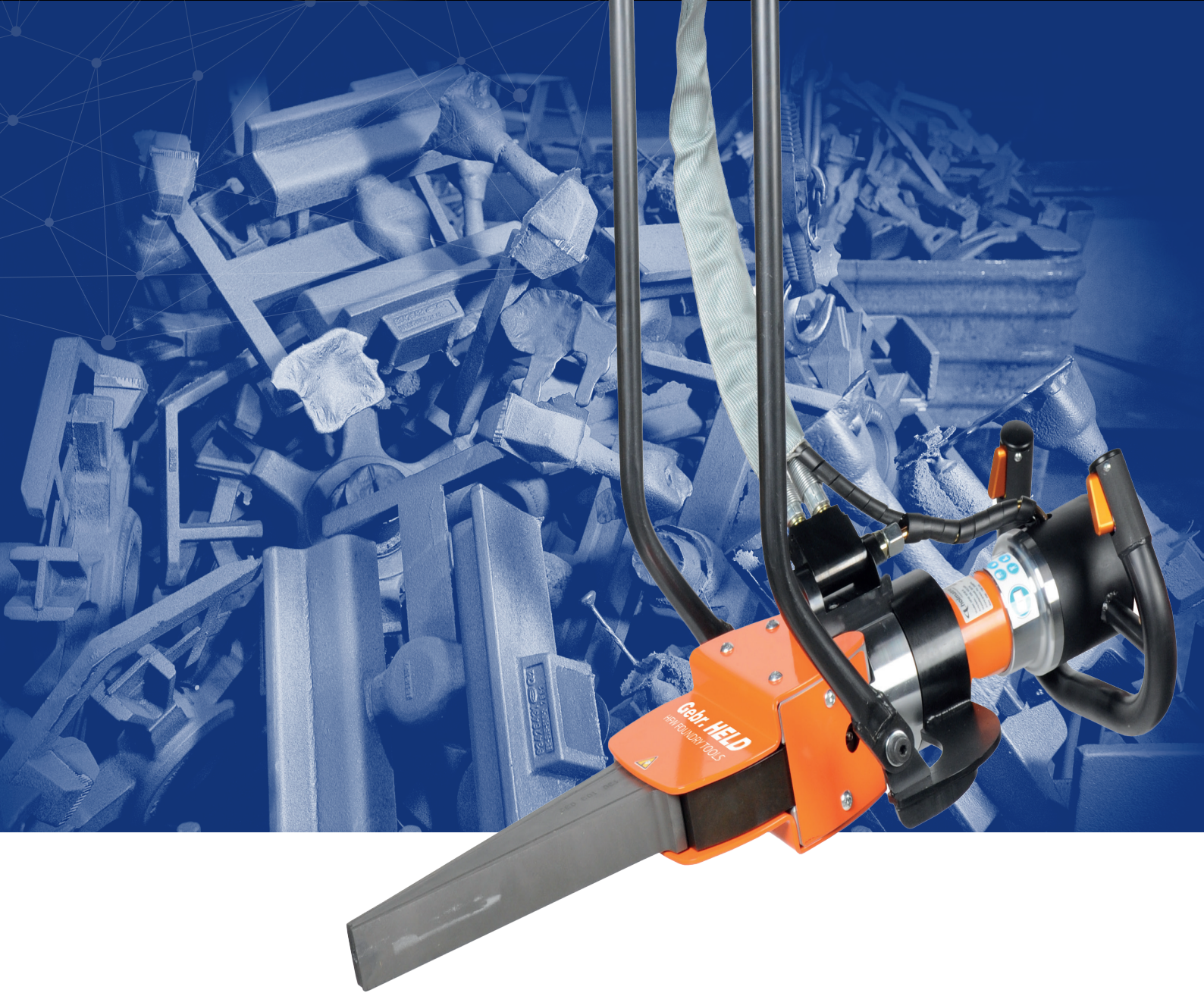


Gebr. HELD
HFW FOUNDRY TOOLS



HFW
FOUNDRY TOOLS

HELD FOUNDRY WEDGES



TABLE OF CONTENTS

INTRODUCTION

- 04 The Company
- 06 Features foundry wedges

FOUNDRY WEDGES

- 08 Foundry wedges | standard
- 09 Foundry wedges | multi-rotatable
- 10 Pump
- 11 Mobile suspension point
- 12 Balancers
- 12 Service set
- 13 Parts

SERVICE & SAFETY

- 14 HELD – Customer Service
- 16 Your benefit

Holmatro HFV becomes Held HFV – SINCE 2022

With the takeover of the entire product range, we are joining the long tradition of high-quality foundry wedges from Holmatro.

We design, develop, manufacture and test our tools – Made in Germany – in-house and can thus offer our customers the best service worldwide.

Held Foundry Wedges are all about the principle that only controlled force can be used effectively.

Our many years of experience as a specialist in hydraulics enables us to seek out the boundaries of what is technically possible. This makes our tools lighter, more compact, more durable, and easier to use.

Convince yourself!

THE COMPANY

INNOVATION & QUALITY – MADE IN GERMANY SINCE 1974.

Gebr. HELD is a leading, certified manufacturer, wholesaler and service provider in the field of hydraulics with headquarters in Germany.

The company offers a wide range of products and services around hydraulics, from development and planning to the manufacture and sale of complete systems, hydraulic hose fittings, standard and special cylinders and test benches. The company specializes in the development and manufacture of complete systems hydraulic hose fittings according to DIN EN ISO standards and also offers accessories for hydraulics and compressed air from renowned manufacturers.

Our products are characterised by high quality „Made in Germany“.

Our core areas include:

Manufacturing

- Complete systems hydraulic hose fittings according to EN ISO standards and special fittings
- Hydraulic-, standard- and special cylinder construction
- Test bench construction for impulse and hydrostatic tests as well as tests with flexing and half-omega tests
- HFW Foundry Wedges and Tools: Development, manufacture and distribution of complete systems

Wholesale

- Programmes of well-known manufacturers of fluid technology and accessories for hydraulics and pneumatics
- eShop with more than 300,000 articles from stock – 24-hour delivery service



Product Overview

ABOUT US

FEATURES FOUNDRY WEDGES

Quick and easy to use

The wedge blades of the Gebr. HELD foundry wedge are durable and can be replaced very quickly. No tools are needed, only a few simple operations are sufficient to replace the blades within 30 seconds! The pump unit can be activated by means of a push button on top of the tools user-friendly handle. A high number of spreading cycles per minute ensures a high operation speed.

Safe to operate

Gebr. HELD foundry wedges are outstanding in the safety of their operation. Attributes such as a full protection cover and the fact that the tools supports two-handed operation, greatly limit the chances of accidents happening. Another feature is that the tool provides clean predictable cuts, guaranteeing that feeders and risers break in a controlled manner.

Ergonomics

During the design stage of the HFW foundry wedge, our engineers emphasised the tool's ergonomic aspects. The result: wedges implicating that the operator can reach almost any feeder and riser without repositioning the casting. The unique construction of the multi-rotatable wedge goes even further and is very suitable for the positioning in any required direction, including vertically. Both types avoid unnecessary heavy handling. Because the physical burden significantly reduces a more efficient production process will be the result.

Positioning

The standard wedge has two standard suspension points:

- Suspension point 1 positions the tool horizontally
- Suspension point 2 can be used for angular positions

The multi-rotatable wedge has an unique suspension construction that enables the wedge to be positioned in any required direction, including vertically.

Standard supplied with

- Anti-friction coating Bel Ray (400 ml)
- Hand nut, T-grip (2 pieces)
- Service instructions (plasticized)

Available on request:

- Top handle (HFW 926)
- Central wedge and wedge blades manufactured in conformity with customer specifications



User-friendly
Compact and easy to operate with high working speed at the same time. Powerful



Safe
A clean, predictable "cut" prevents unnecessary shooting away of material and damage to the casting. The wedge is constructed of as few moving parts as possible.



Maintenance-friendly
durable wedge blades can be replaced within 30 seconds



standard wedge

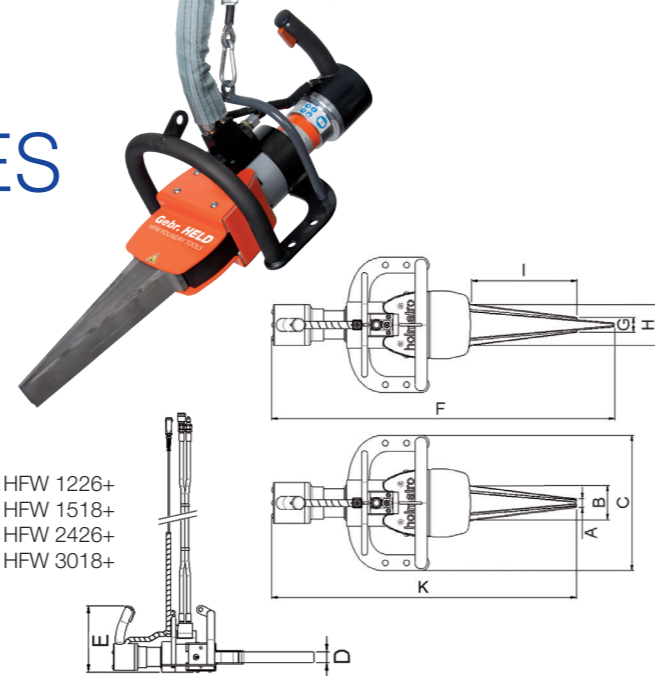
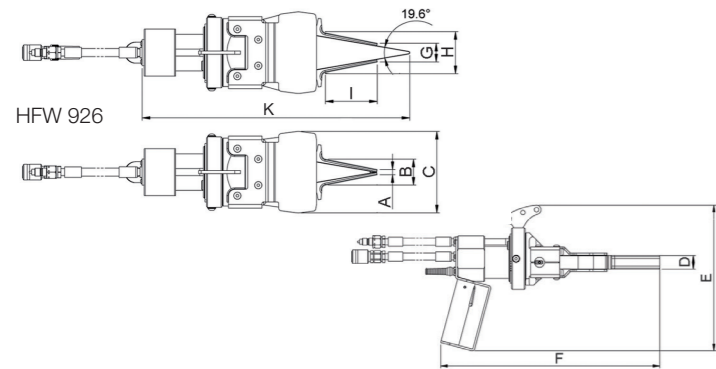
multi-rotatable wedge



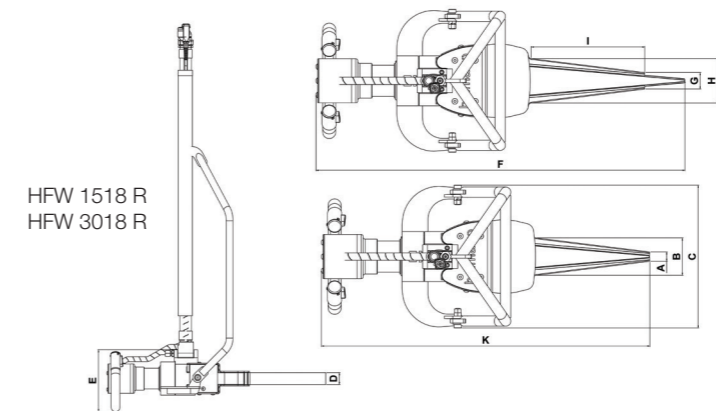
suspension point 1

suspension point 2

FOUNDRY WEDGES STANDARD



FOUNDRY WEDGES MULTI-ROTATABLE



SPECIFICATIONS		HFW 926	HFW 1226+	HFW 1518+	HFW 2426+	HFW 3018+	HFW 1518 R	HFW 3018 R
Art no		130.102.005	130.102.016	130.102.013	130.102.015	130.102.012	130.102.020	130.102.025
max. working pressure	bar/Mpa	200 / 20	200 / 20	200 / 20	200 / 20	200 / 20	200 / 20	200 / 20
effective spreading	mm	26	26	18	26	18	18	18
min. insertion space	mm	10	19	23	29	30	23	30
wedge angle	°	19.6	15	10	15	10	10	10
wedge travel	mm	75	100	100	100	100	100	100
max. spreading force	kN/t	86 / 8.8	121 / 12.3	150 / 15.3	242 / 24.7	300 / 30.6	150 / 15.3	300 / 30.6
required oil content (effective)	cc	37	126	126	162	162	126	162
required oil content (press)	cc	178	283	283	579	579	283	579
required oil content (retract)	cc	141	157	157	417	417	157	417
weight, ready for use	kg	19.6	39.0	42.7	42.2	48.3	45.7	51.3
riser size indication (grey iron)	mm	30	35	45	59	63	45	63
riser size indication (nodular iron)	mm	17	22	30	39	49	30	49
dimension A	mm	10	19	23	29	30	23	31
dimension B	mm	50	69	91	74	127	91	127
dimension C	mm	156	368	358	358	368	349	349
dimension D	mm	30	44	44	50	50	44	50
dimension E	mm	322	266	266	273	273	227	232
dimension F	mm	482	766	902	731	871	903	875
dimension G	mm	36	46	40	55	48	40	48
dimension H	mm	76	95	109	101	145	109	145
dimension I	mm	99	147	278	133	275	278	275
dimension K	mm	511	672	804	632	775	804	775



Features & benefits

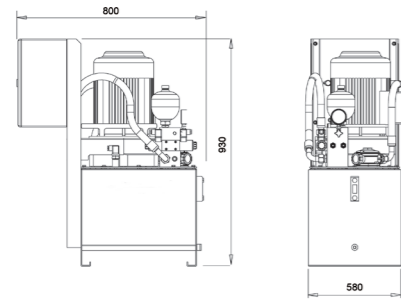
- Compact construction
- Push-button operation
- Rotating for easy positioning
- Avoids heavy physical strain
- Very low maintenance and durable



Features & benefits

- A unique suspension system for the optimum positioning of the wedge in any required direction
- Handlebar-shaped operating handle for the flexible movement of the wedge
- Suitable for both left-handed and right-handed users by means of a push-button control at each end of the operating handle

THE PUMP



Standard supplied with 10 meter hose.



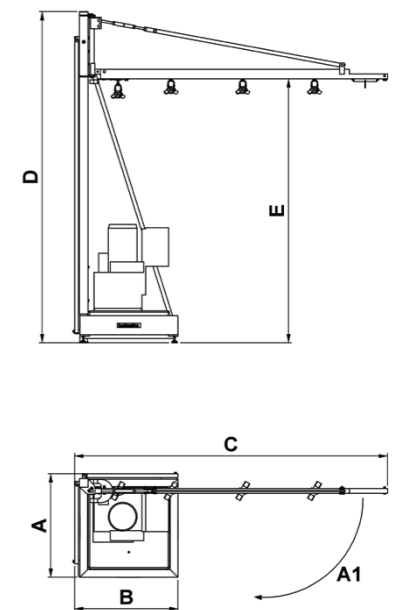
THE MOBILE SUSPENSION POINT

Mobile suspension point for suspending tools such as a cutter or a foundry wedge.



SPECIFICATIONS		200 S 50 EN
Art no		130.152.001 ; US / MX Version: 130.152.002
max. working pressure	bar/ Mpa	200 / 20
first stage output / min.	cc	20880
capacity oil tank (effective)	cc	50000
operator type		Electric motor
engine		400 VAC - 7.5 kW - 50 Hz - 3 Ph US / MX Version: 460 V / 60 Hz
weight, ready for use	kg	212.0
temperature range	°C	0 + 60
dimensions (AxBxC)	mm	807 x 430 x 980

SPECIFICATIONS		HMP-3-125
Art no		100.003.180
Short description		Mobile Suspension Point
Max. weight capacity	kg	125.0
Weight, ready for use	kg	620.0
dimension A	mm	1080
dimension B	mm	1080
dimension C	mm	3271
dimension D	mm	3455
dimension E	mm	2754
angle A1	°	110



Features & benefits

- High operating speed
- Cycle counter
- Oil level indicator
- Oil temperature indicator
- Air / oil cooler
- Switch for wedge maintenance



Available on request

- Foot pedal (electrical), art no 130.182.426
 - For foot operation of your foundry wedge
 - Replaces the electrical push-button operation of the foundry wedge



Features & benefits

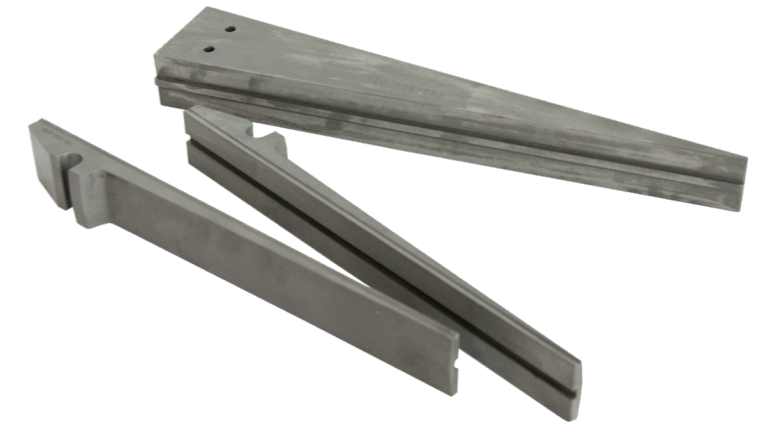
- Stable construction: adjustable feet under the crane
- Long reach: flexible positioning of the wedge
- Safe: cutout in the plate prevents movement of the pump
- Flexible and space-saving. Easy to move with a forklift

THE BALANCERS



	DESCRIPTION	MODEL	ART NO
15 - 20 kg	<ul style="list-style-type: none"> For ICU 10 / 40 & HFW 926 For virtually weightless operation of the cutter or wedge 	-	130.182.039
35 - 45 kg	<ul style="list-style-type: none"> For HFW 1226+, 1518+ & 2426+ For virtually weightless operation of the cutter or wedge 	-	130.581.003
45 - 55 kg	<ul style="list-style-type: none"> For HFW 3018+ For virtually weightless operation of the cutter or wedge 	-	130.102.007

THE PARTS



PARTS / DESCRIPTION	MODEL	ART NO
Wedge blade HFW 926 (2 needed)	HFW 926	130.000.135
Wedge blade HFW 1226+ (2 needed)	HFW 1226+	130.000.038
Wedge blade HFW 1518+ (2 needed)	HFW 1518+	130.000.039
Wedge blade HFW 2426+ (2 needed)	HFW 2426+	130.000.040
Wedge blade HFW 3018+ (2 needed)	HFW 3018+	130.000.041
Central wedge for foundry wedge HFW 926	HFW 926	130.000.134
Central wedge for foundry wedge HFW 1226+	HFW 1226+	130.103.031
Central wedge for foundry wedge 1518+	HFW 1518+	130.103.032
Central wedge for foundry wedge HFW 2426+	HFW 2426+	130.103.045
Central wedge for foundry wedge HFW 3018+	HFW 3018+	130.103.067

THE SERVICE KIT



DESCRIPTION	MODEL	ART NO
Consists of: <ul style="list-style-type: none"> Anti friction coating Bel Ray® (400 ml) Handnut, T-grip (2 pieces) Service instructions (plasticized) 	-	130.013.001

SECURITY & **COMPETENCE**


MADE IN GERMANY

Our customer service is there for you

Generally applicable to all brands of hydraulic equipment is that malfunctions and defects will occasionally occur over time. Regular maintenance and correct usage are of great importance in ensuring that your equipment can continue to be employed optimally and safely during its entire operating life span.

Gebr. HELD can help you here. As a manufacturer of hydraulic equipment, we are the ideal service specialist for such maintenance work. We know how important professional maintenance is; not only for the optimum function of the equipment, but also for the safety of the people who use it.

The quality policy of Gebr. Held is an essential means to customer satisfaction.

Our practical experience is your advantage.



More information

THE GOOD MUST GIVE WAY TO THE **BETTER**

5 good reasons why you can't pass us by.

1 Wide range of hydraulic products
From the connection, to the hose, to the whole tool. We understand your requirements very well

2 Competence & experience since 1974
We know what we're talking about and give you the confidence you need to choose us.

3 International presence
Our HFW foundry wedges and products work all over the world. Day after day – supported by our multilingual team.

4 We are a system supplier
Everything from one source. Everything under one roof. With the most varied standard and special products.

5 Powerful team
Young foxes and old hares. People with a wide range of qualifications work for us with only one goal: to develop the best solutions once again every day.

Gebr. HELD
HFW FOUNDRY TOOLS

**Gebr. Held Hydraulik
Technischer Großhandel GmbH**
Weilatten 8
78532 Tuttlingen-Möhringen

Get in touch with us and arrange a non-binding consultation:

Telefon +49 74 62 94 57-0
hfw@held-hydraulik.de
www.held-hydraulik.de



**Interactive
Brochure**